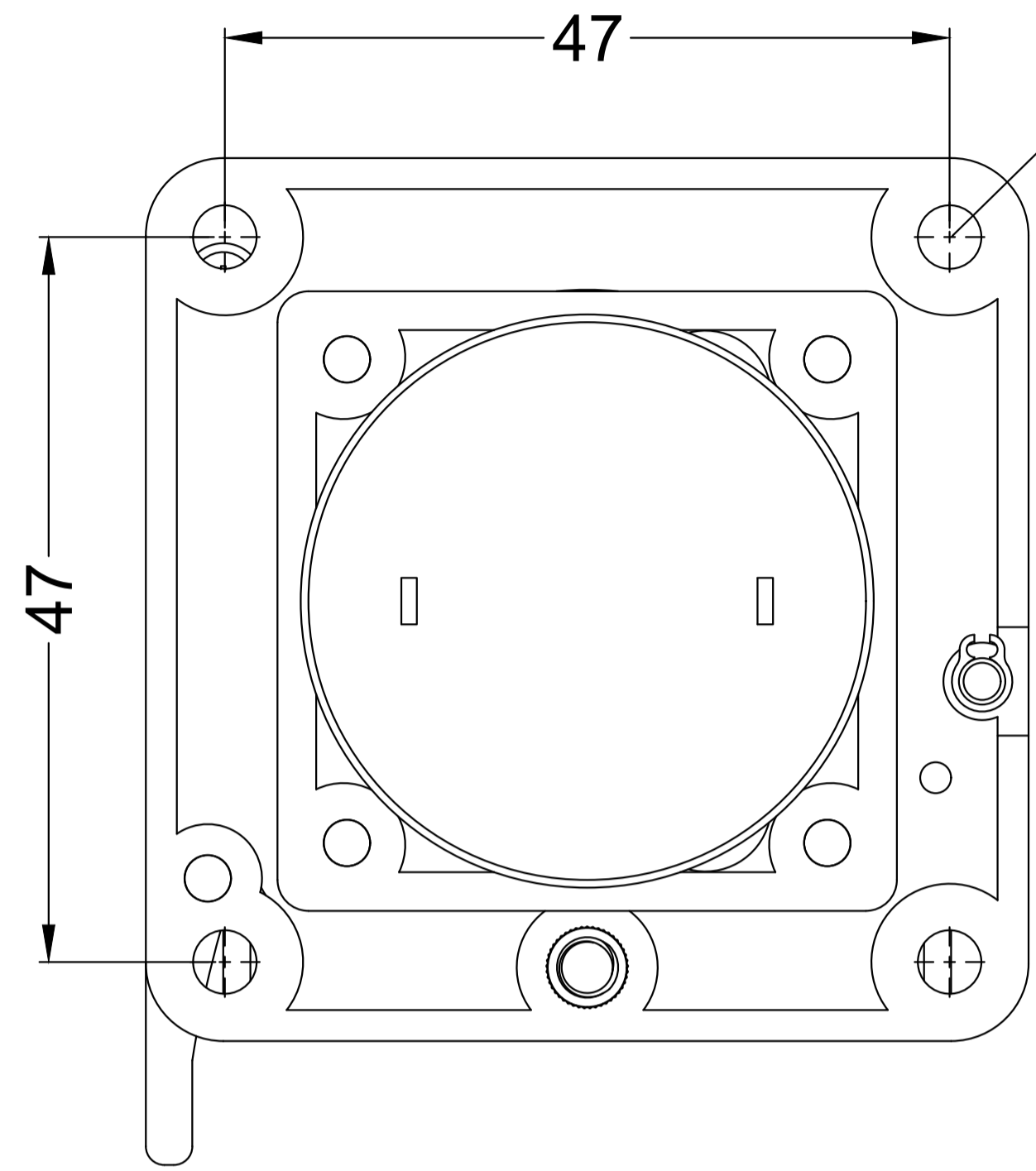


# ZL12-RZ1030-4



4\* $\phi$ 4.1安装孔

