

SV-07B Injector Valve



- Support a variety of flow path collocation by back and forth switching of two positions which meets the needs of different customers
- Runze patented product, sapphire valve rotor and stator, which resist to corrosion, high-pressure, high-temperature and high wear resistance, biocompatible and suitable for a variety of special media
- Supports multiple communication: RS232/RS485/CAN bus
- High efficiency and maintenance-free
- Widely used in a variety of analysis equipment such as environmental analysis instruments, medical analysis instruments, non-standard sampling facilities in high-precision, etc.

QHF-SV07B - X - S - T10 - K1.2 - S

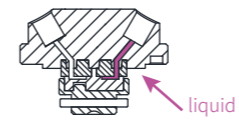
Model No. Slope valve head Small low voltage Configuration Orifice 1.2mm Sapphire

T6	6-port
T8	8-port
T10	10-port

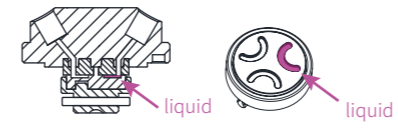
Technical Parameter

Configuration	6-port	8-port	10-port
Flow Passage Diameters	1.2mm		
Rotor Slot Volume	Port to Port 28.121μl Rotor slot Volume 5.207μl	Port to Port 28.67μl Rotor slot Volume 5.756μl	Port to Port 28.129μl Rotor slot Volume 5.215μl
Wetted material	PCTFE, Sapphire rotor/stator		
Pressure rating	0-0.3Mpa (air) / 0-1.6Mpa (water)		
Origin detection	Auto reset to initial position when powered on (this function can be opened or closed)		
Liquid temperature	0-150°C		
Connection	1/4-28UNF		
Replaceable parts	Stator replaceable, sealed rotor irreplaceable		
Transposition	Random start to any specific port		
Driver	Non-optional		
Valve drive	≤2s/circle	≤2s/circle	≤3.3s/circle
Baud rate	RS232/RS485: 9600bps, 19200bps, 38400bps, 57600bps, 115200bps CAN: 100Kbps, 200Kbps, 500Kbps, 1Mbps		
Address & Parameter setting	Via communication		
Power supply	DC24V/3A		
Power	25W		
Operating temperature	-10°C~+50°C		
Operating humidity	<80% relative humidity, non-condensing		
Dimension (L*W*H)	60*51*150mm		
Net Weight	0.73kg		

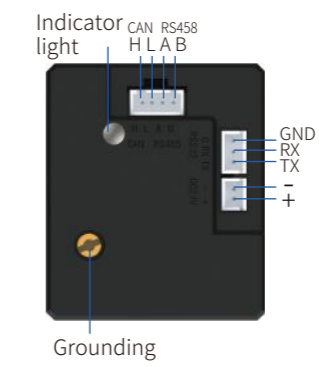
Port-to-Port Volume



Rotor Slot Volume

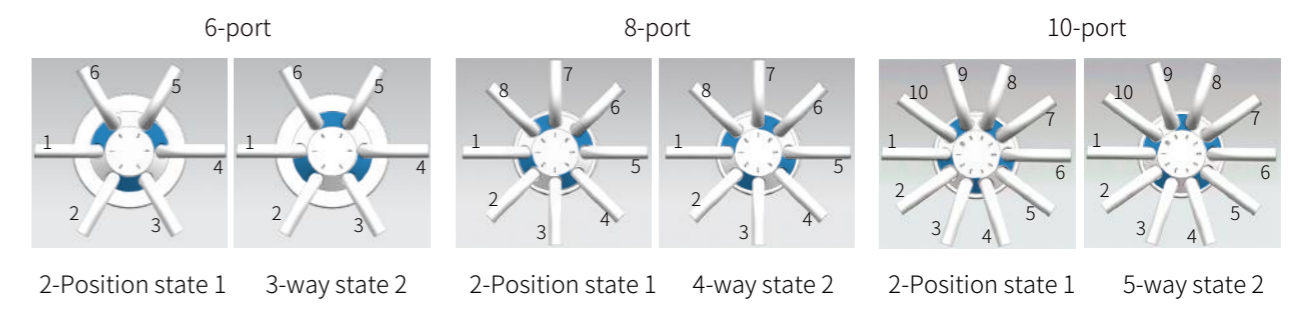


Driver Port

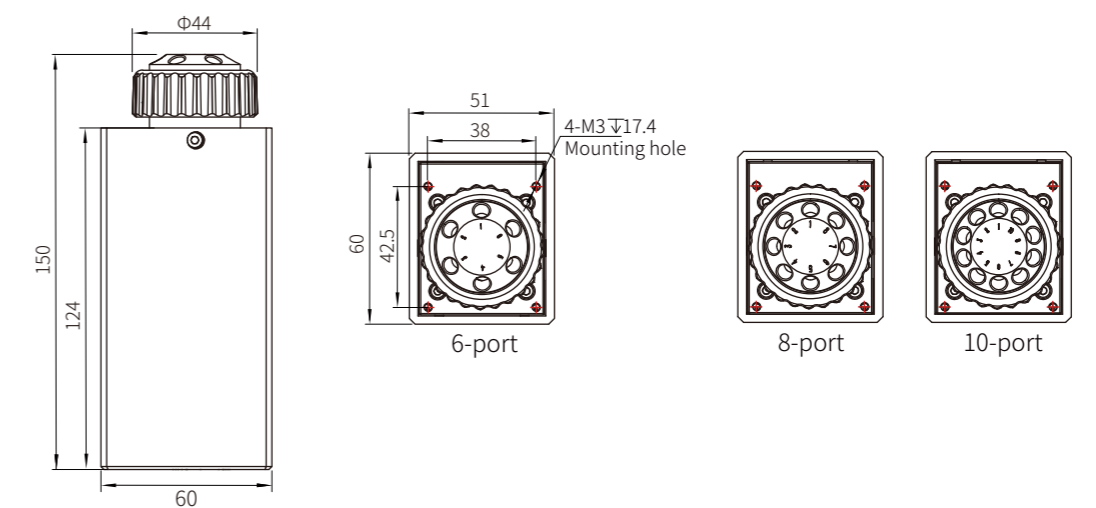


Port	Description
+	DC24V Positive
-	DC24V Negative
TX	RS232 Data Input
RX	RS232 Data Output
GND	GND
H	CANH
L	CANL
A	RS485A
B	RS485B

Flow Configuration



Dimension (Unit: mm)



Note: 6/8/10-port valve shares the same dimension