



## RZ-01

### 42 Stepper Motor Peristaltic Pump

- ◆ PPS rollers, excellent structural performance,
- ◆ 4 rollers moderate pulse,
- ◆ PC housing, easy inspection
- ◆ waterproof, dustproof, easy to clean, no dead space
- ◆ OEM support

RZ-01 - ① **1.6** - ② **4**

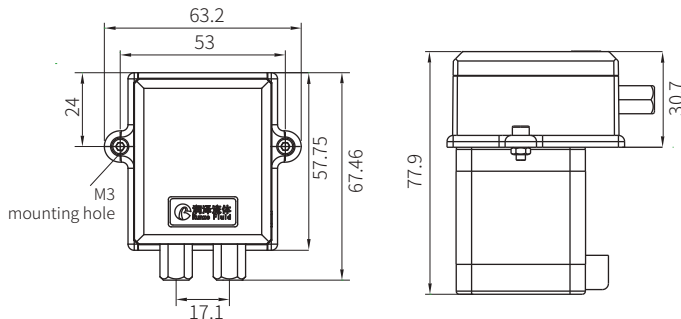
Model No. wall thickness of rubber tube 4 rollers

①	②
0.8	Tube WT: 0.8mm
1.6	Tube WT: 1.6mm

### Installation Steps of Pump Hose



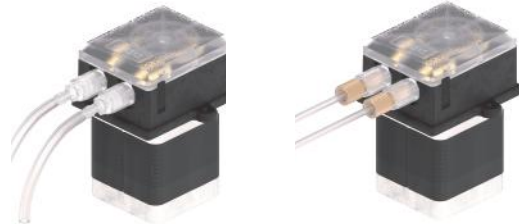
### Dimension (unit: mm)



### Tubing

**hose connection:**  
Barb-to-Female Adapters  
+Barb-to-Male Adapters

**rigid tube connection:**  
Barb-to-Female Adapters  
+Flangeless Fittings



### Technical Parameters

Model No.	Motor Type	Motor Type	Speed	Net Weight	Working Environment	Max.DB
RZ-01	NMB 42 step motor	1.1A	≤400rpm	432g	Temp. 0~40°C Humidity <80%	70dB

Note 1: Please refer to page P40 [42 stepper motor parameters] and [motor wire phase table] for detailed motor parameters

Note 2: Motor wire & color: A+/Orange; A-/Blue; B+/Red; B-/Yellow

WT(mm)	0.8														1.6			
ID (mm)	0.64	0.76	0.89	1.02	1.14	1.30	1.42	1.52	1.65	1.85	2.06	2.29	2.54	2.79	0.8	1.6	2.4	3.2
Max. Flow Rate ml/min	12	13	16	22	28	34	42	44	47	60	65	88	90	96	14	48	94	152

Note: Test under room temperature 20°C and no external pressure (water), flow rate may vary from different media, condition, pressure, humidity, temperature etc.