

## PEEK One-Piece Fittings

硬管接头

PEEK One-Piece Fittings are manufactured with standard knurl for 1/16" OD tubing used in 10-32 coned ports at wide temperature range -100°C~+250°C and higher pressure than common PEEK flangeless fittings.

- PEEK fittings featured with high mechanical strength, solvent resistance (except strong sulphuric acid and strong nitric acid), high temperature resistance, wear resistance with its high friction coefficient, impact resistance
- One-Piece fittings are excellent for connecting most rigid or semi-rigid tubes, including tubing manufactured from fluoropolymers (FEP, PFA, ETFE, ECTFE, etc.), PEEK.
- Frequent disassembly supported
- Suit for mesolow liquid chromatography, gene detection, high-end bioanalysis



## Coned Plug

硬管接头

Coned plugs are used to close off unused ports in multiposition valves and multiport connectors

- PP and PTFE material for option
- 1/4-28UNF and M6 thread for option
- Professional injection molding result in accurate screw thread and best sealing performance

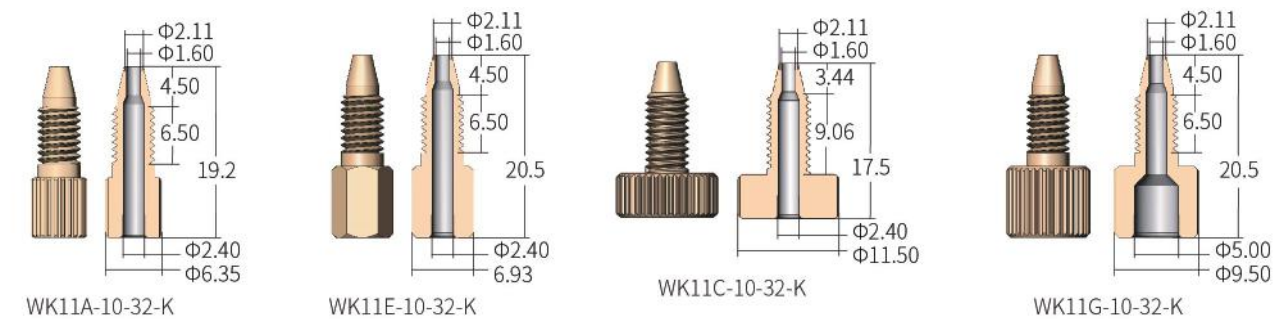
### Model No. Specification

**WK11C - 10-32 - K**

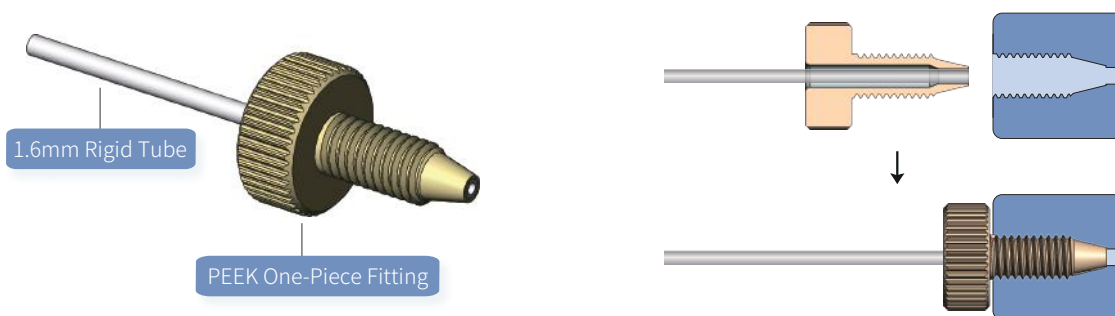
<b>Model No.</b> WK11A WK11C WK11E WK11G	<b>Thread</b> 10-32 - 10-32UNF	<b>Material</b> K - PEEK
--	-----------------------------------	-----------------------------

Model No.	Thread	Material	Tubing OD
WK11A-10-32-K	10-32UNF	PEEK	1.6mm
WK11E-10-32-K	10-32UNF	PEEK	1.6mm
WK11C-10-32-K	10-32UNF	PEEK	1.6mm
WK11G-10-32-K	10-32UNF	PEEK	1.6mm

### Dimension (unit: mm)



### Connection



### Model No.

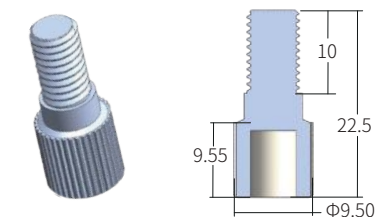
**WDD - 28 P**

<b>Model No.</b>	<b>Thread</b> 28 - 1/4-28UNF 06 - M6	<b>Material</b> P - PP E - PTFE
------------------	--	---------------------------------------

WDD-28E  
Coned plug made of 1/4-28UNF male thread, PTFE material

### Specification Dimension (unit: mm)

Model No.	Thread	Material
WDD-28P	1/4-28UNF	PP
WDD-28E	1/4-28UNF	PTFE
WDD-06P	M6	PP
WDD-06E	M6	PTFE



### Connection

