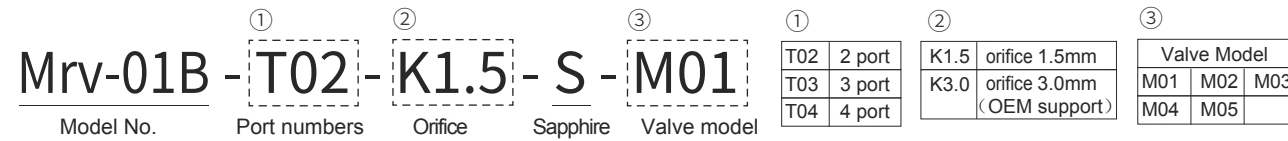


Mrv-01B High Pressure Valve

高压阀



- Anti positive pressure 1.2Mpa and negative pressure 0.06Mpa, current valve working status can be feedback via DC3.3-24V input voltage signals
- Plane switching structure design to ensure high dispensing stability at liquid outlet without any liquid fluctuation and pulse
- Valve body can be heated up to 80°C
- Compared to common solenoid valve, Mrv-01B valve body won't get heated even under long time working and much longer service life than common solenoid valve



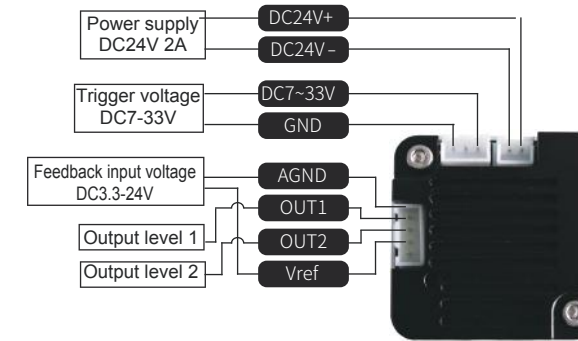
Valve Type



Technical Parameter

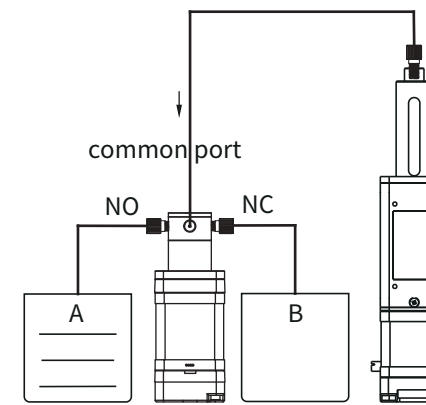
Configuration	2/3/4 port
Orifice	1.5mm
Wetted material	PCTFE valve head, Sapphire rotor/stator
Valve model	M01 M02 M03 M04 M05
Port-to-port	52.93ul 50.68ul 52.93ul 101.35ul 51.32ul
Dead volume	13.83ul 11.66ul 13.83ul 23.31ul 12.22ul
Pressure rating	0-1.0Mpa (air) / 0-1.2Mpa (water)
Liquid temperature	0°C-80°C
Connection	1/4-28UNF
Replaceable parts	Stator replaceable, rotor sealed irreplaceable
Driver	Non-optional
Valve drive	≤530ms (response time)
Trigger signal	DC7-33V
Feedback input signal	DC3.3V-24V high low level output
Power supply	DC24V/1A
Max. current	2A
Max. power	48W
Operating temperature	0°C-50°C
Operating humidity	<70% relative humidity, non-condensing
Dimension (L*W*H)	42*42*113mm
Net weight	0.487kg

Driver Port



Port	Description
DC24V(+)	DC24V positive
DC24V(-)	DC24V negative
V-Tin(DC7~33V+)	External trigger voltage (DC7~33V)
DC7~33VGND(-)	GND
AGND	External reference voltage GND (-)
OUT1	Output level 1
OUT2	Output level 2
Vref	External reference input voltage (+)

Application



Mrv-01B & MiNi SY-04

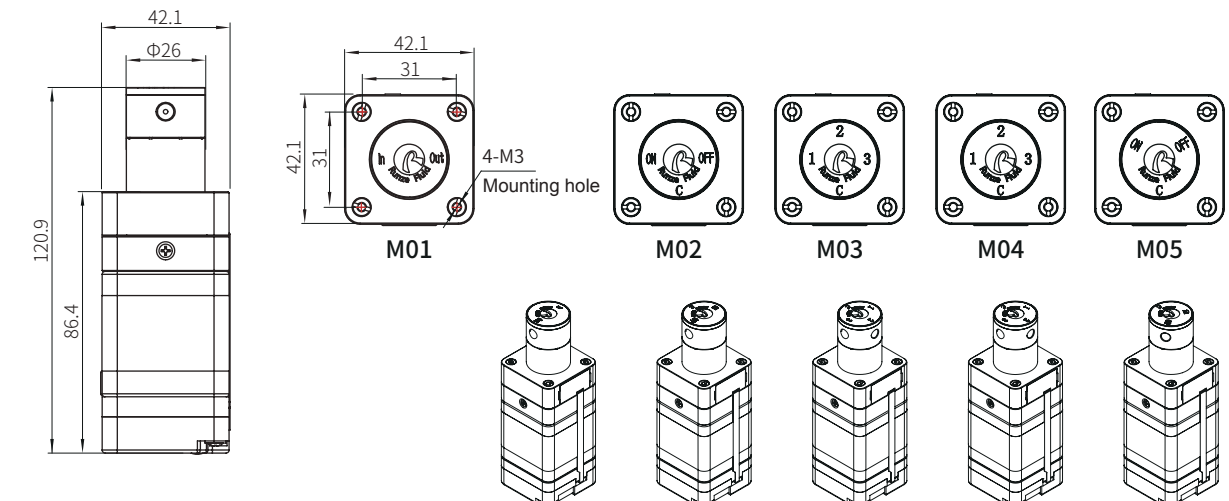
1. Mrv-01B M02 valve & MiNi SY-04 connected

2. Working process:

To make syringe pump suction liquid, power on Mrv-01B valve, NO (normally open) and common port of Mrv-01B valve connected, pump suction liquid from box A into syringe pump;

To make syringe pump discharge liquid, power on Mrv-01B valve, NO (normally open) closed, NC (normally close) opened and connected with common port, pump discharge liquid from syringe into box B.

Dimension (unit: mm)



Note: Mrv-01B M01 M02 M03 M04 M05 share the same dimension